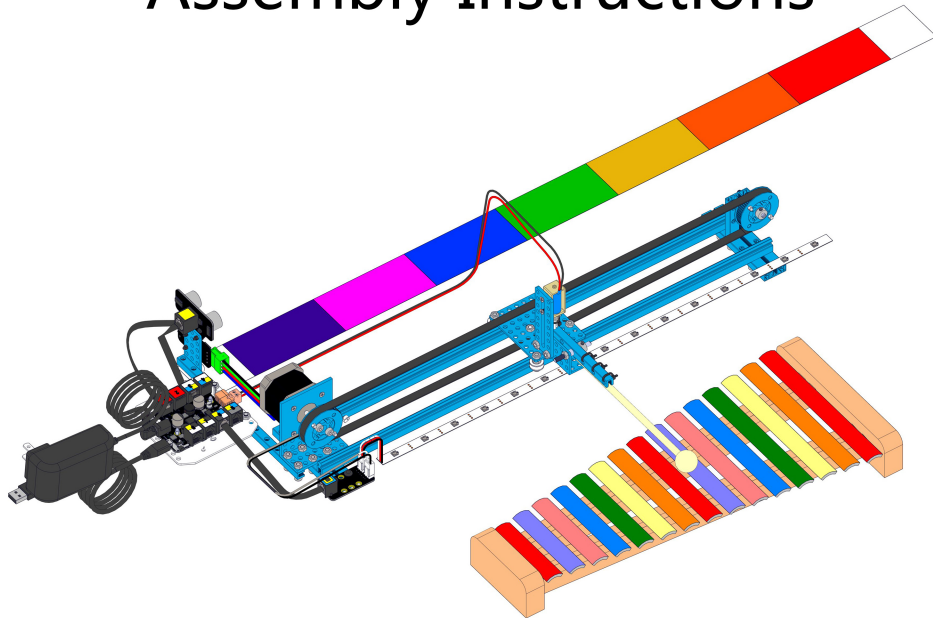


Music Robot Kit V2.0

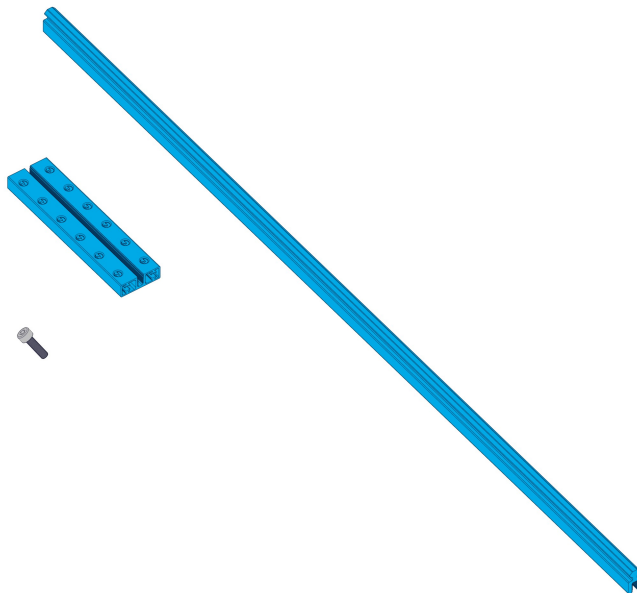
Assembly Instructions

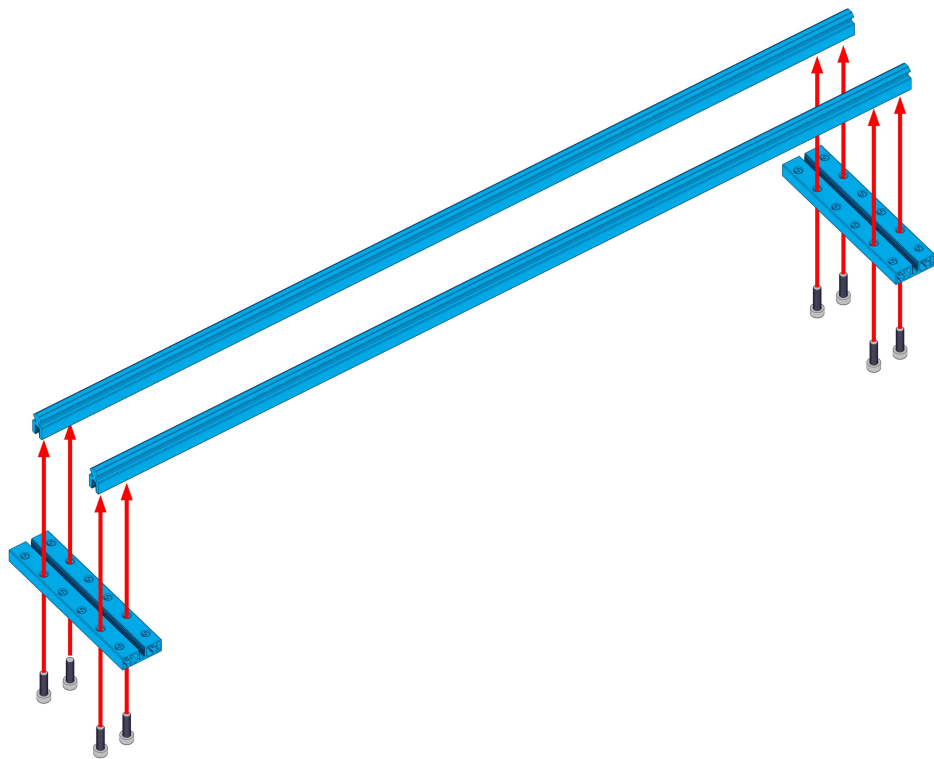


2×Slider 496

2×Beam 0824-96

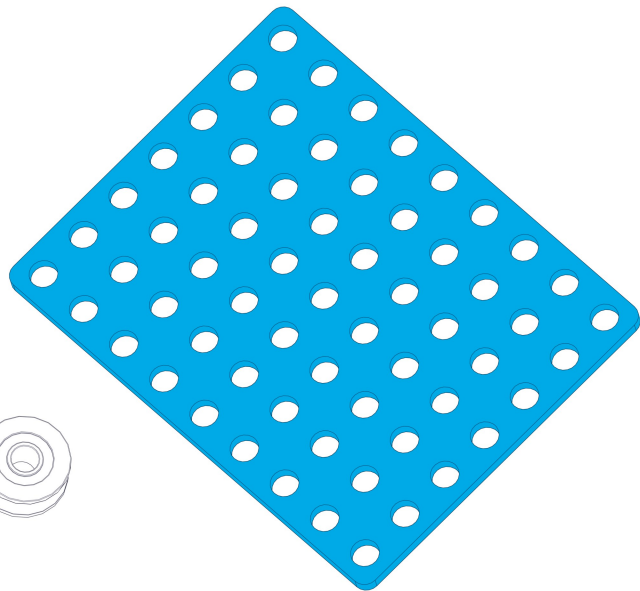
8×Socket Cap Screw M4×14







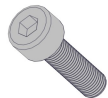
1×Plate 7×9



4×V-slot Bearing

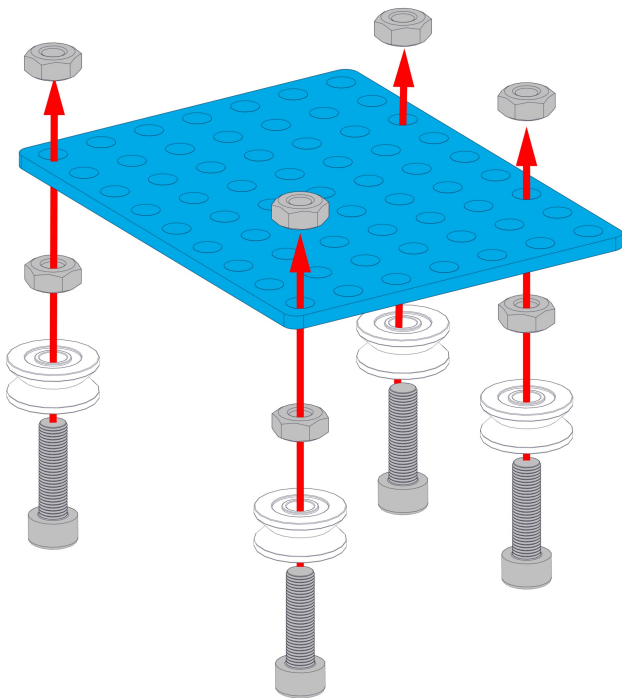


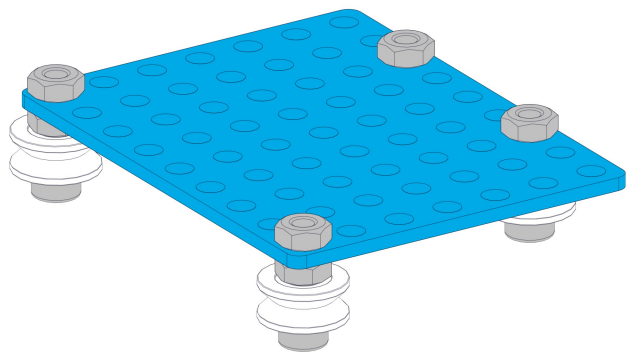
4×Socket Cap Screw M4×14

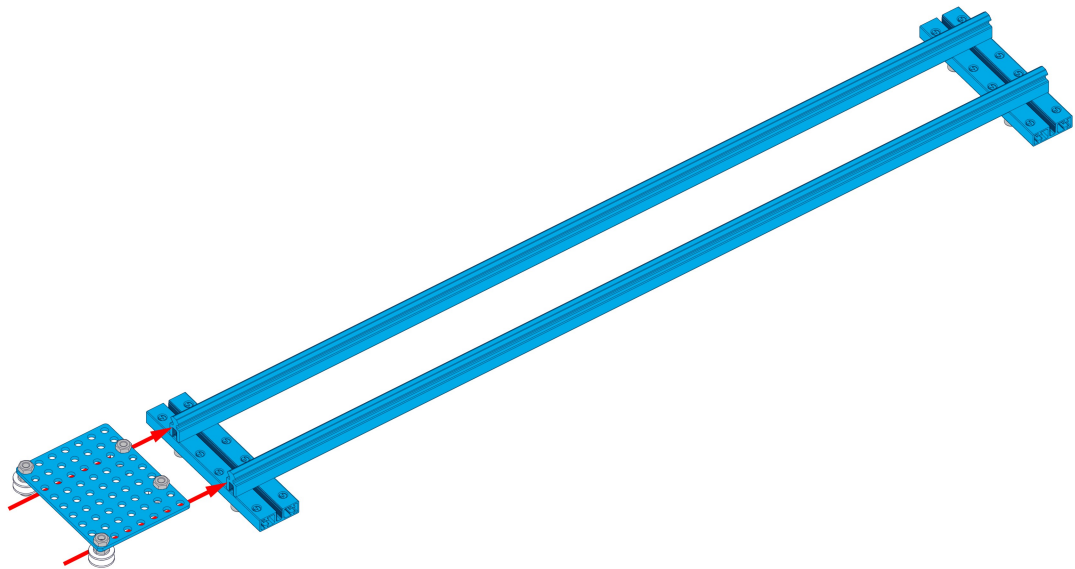


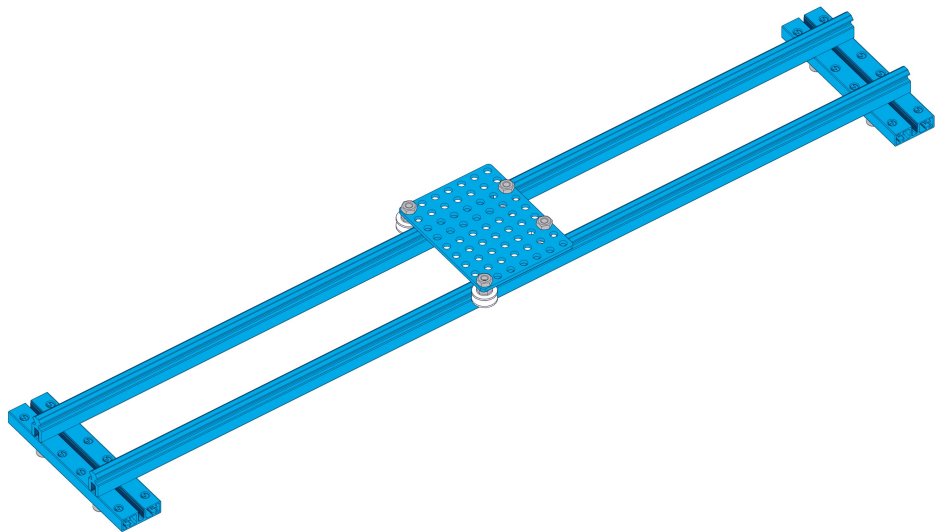
8×Nut M4



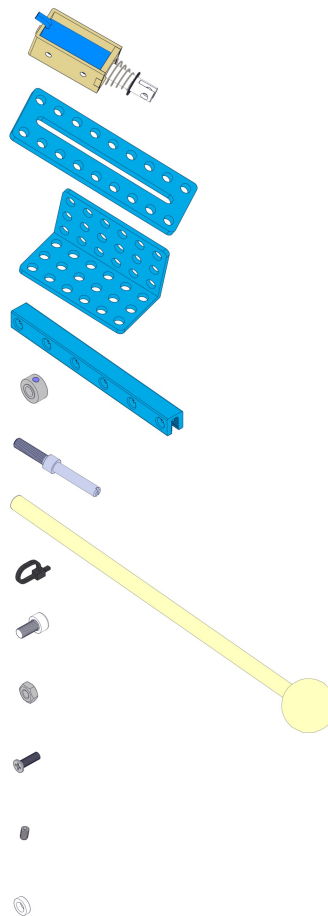


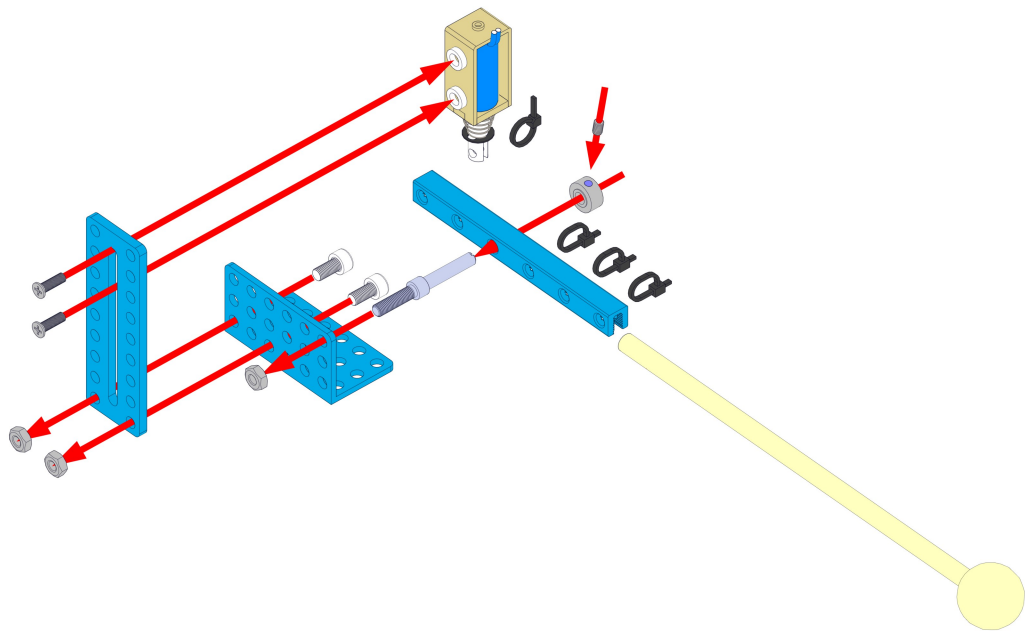


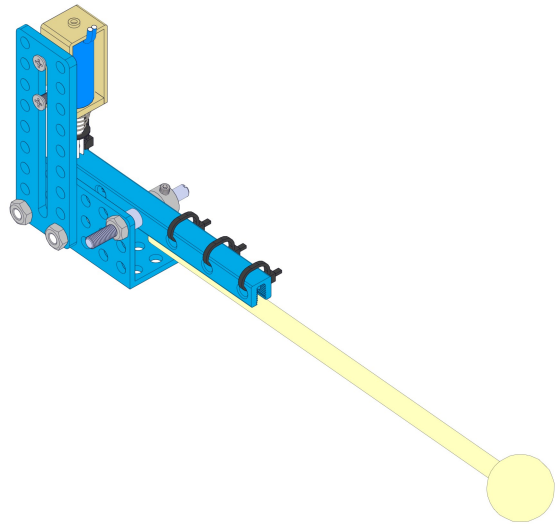


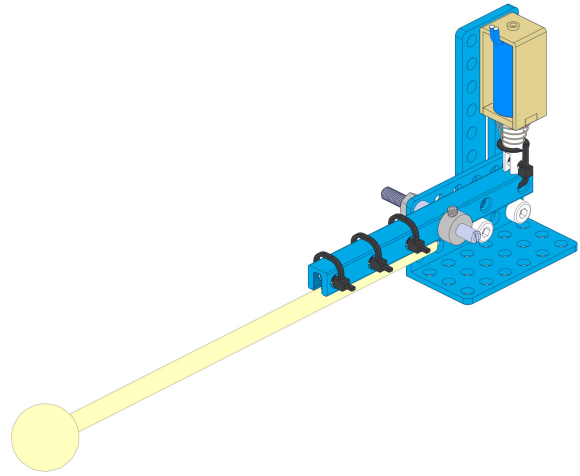


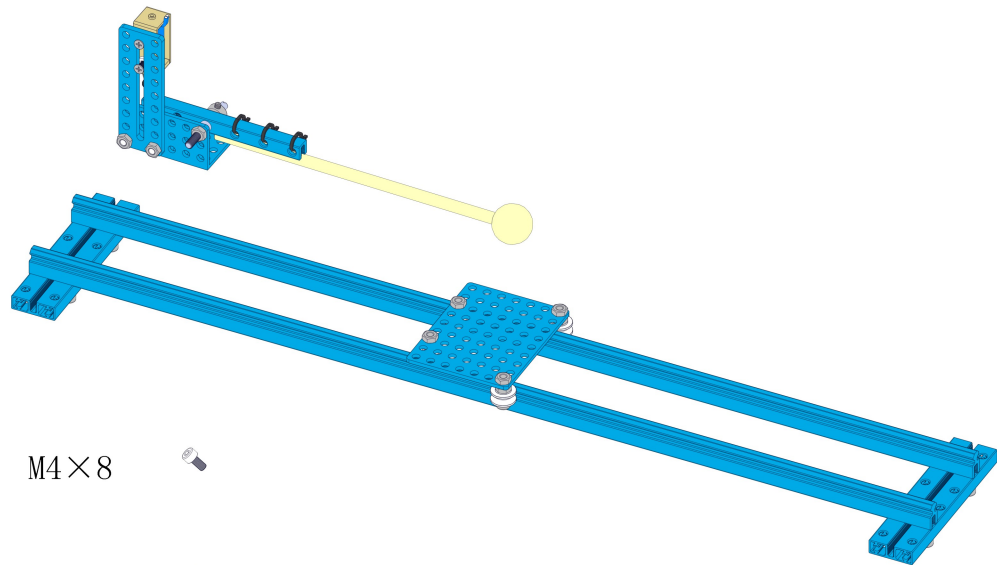
- 1×DC Frame Type Solenoid HCNE1-0530
- 1×Plate I1
- 1×Bracket 3×6
- 1×Beam 0808-88
- 1×Shaft Collar 4mm
- 1×Threaded Shaft 4×39mm
- 1×Stick
- 4×Nylon cable ties 2×100
- 2×Socket Cap Screw M4×8
- 3×Nut M4
- 2×Countersunk Screw M3×8
- 1×Headless Set Screw M3×5
- 2×Plastic Ring ×2mm





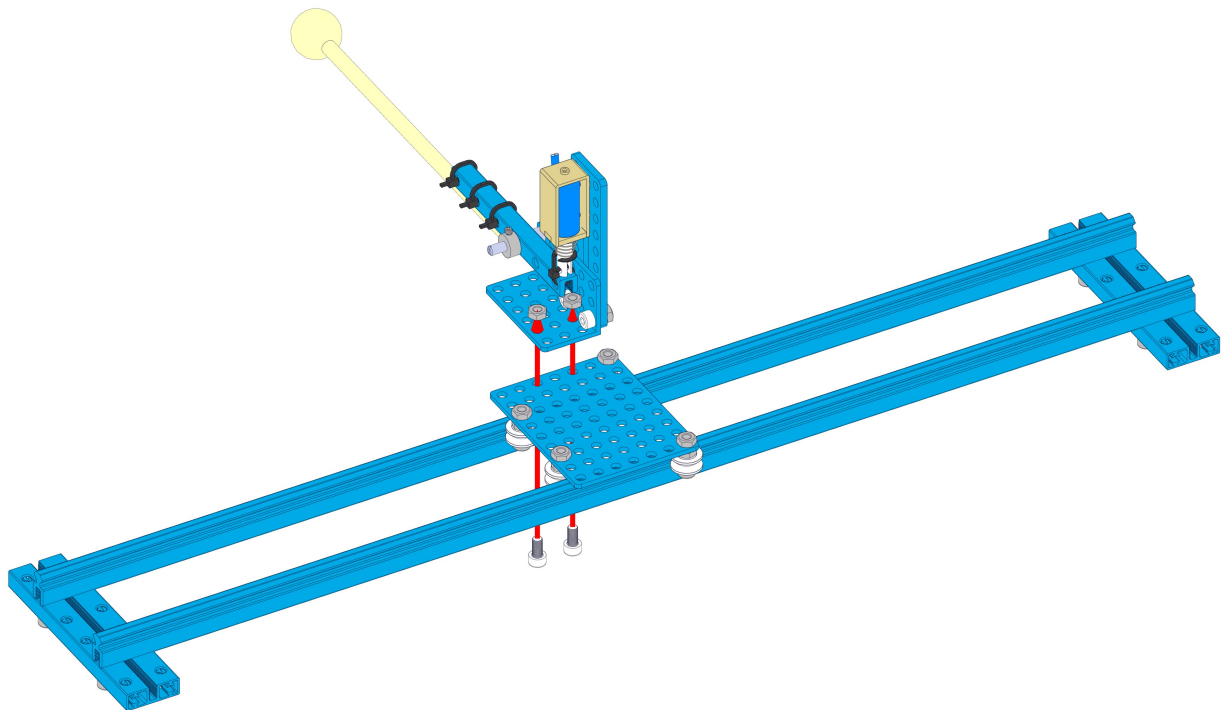


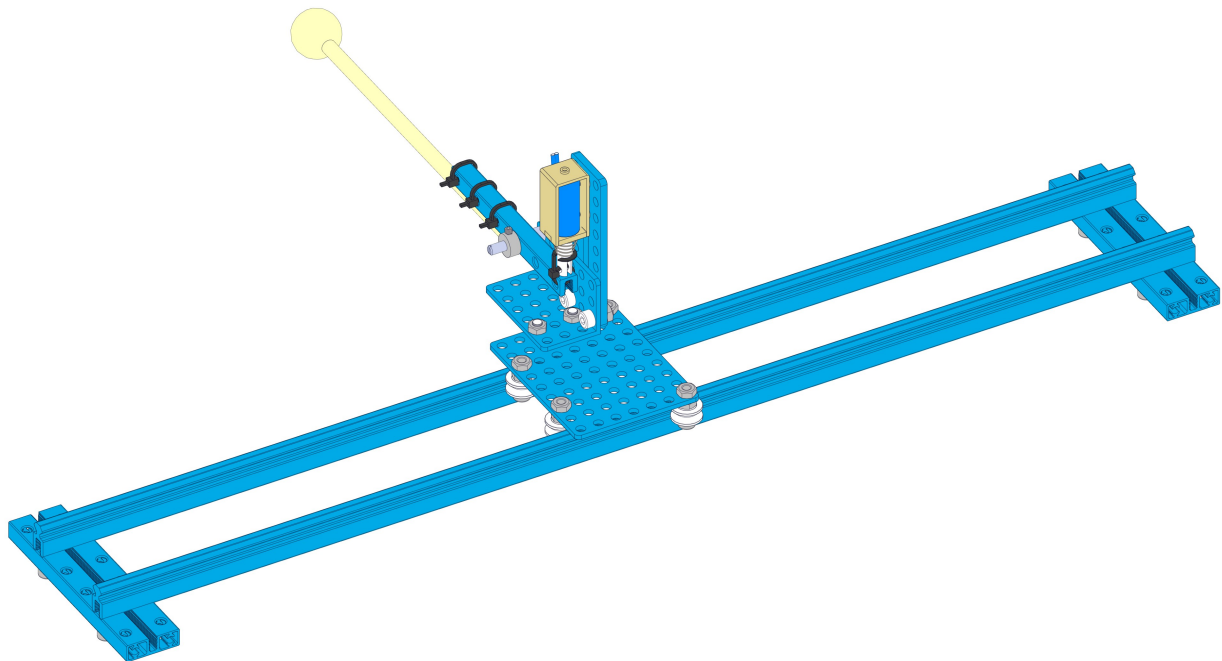


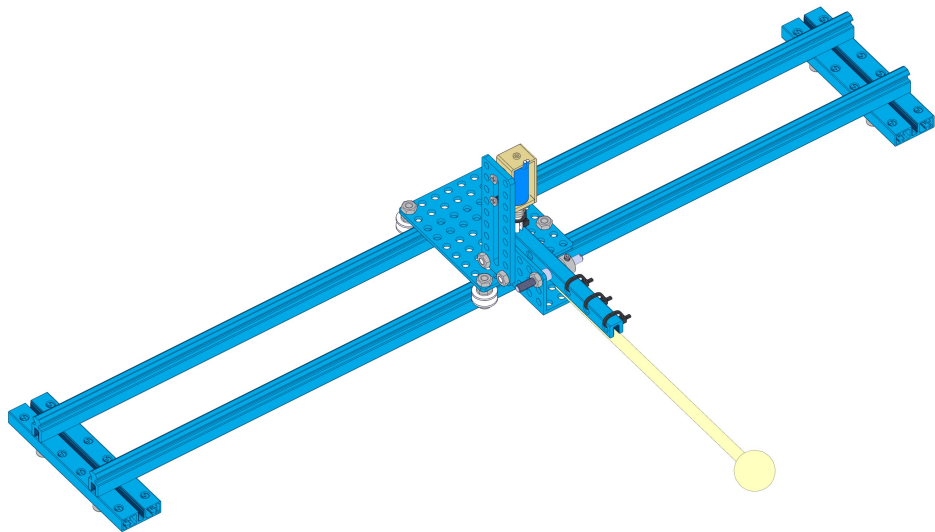


2×Socket Cap Screw M4×8

2×Nut M4







1×42BYG Stepper Motor

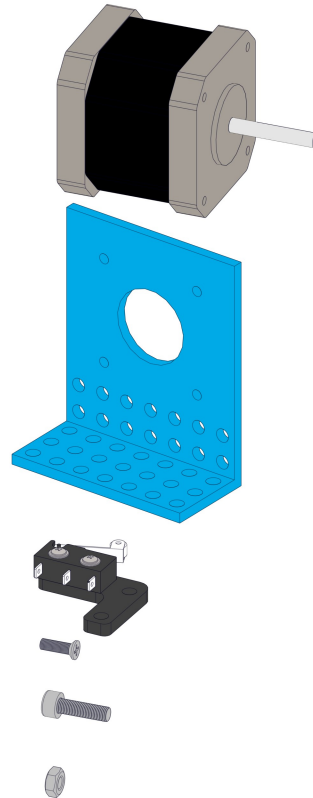
1×42BYG Stepper Motor Bracket

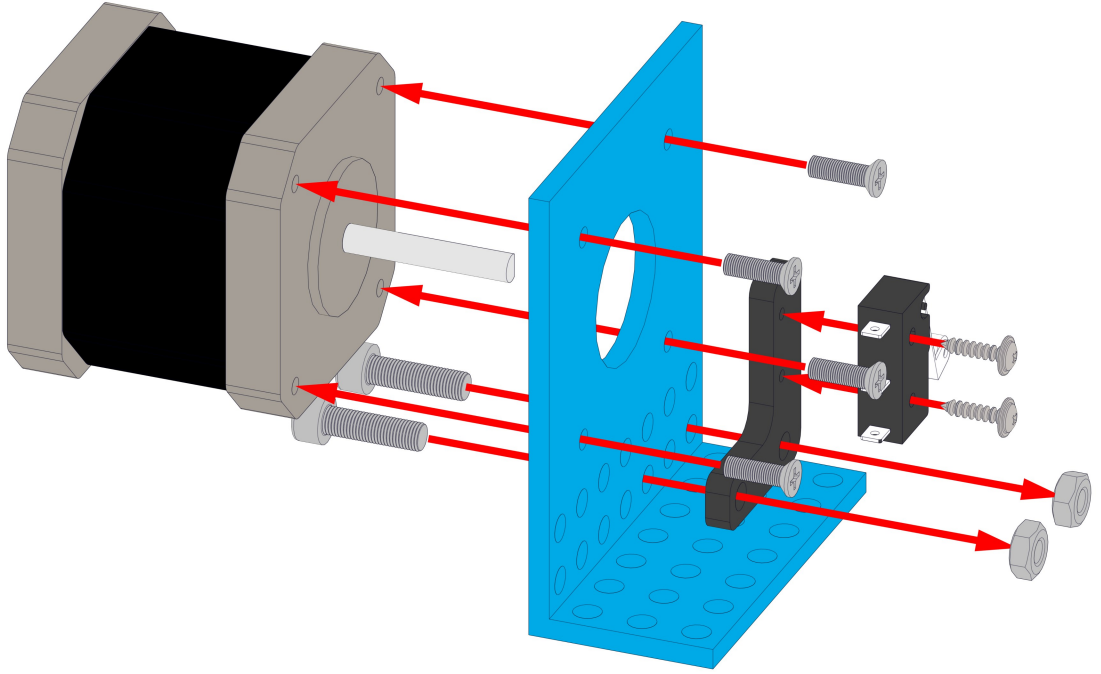
1×Micro Switch

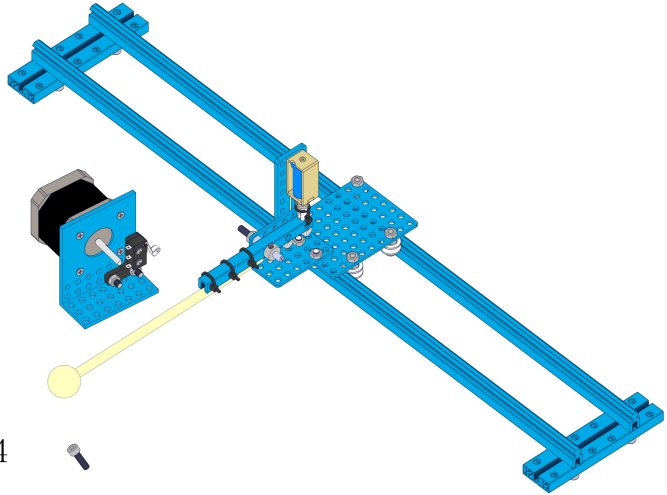
4×Countersunk Screw M3×8

2×Socket Cap Screw M4×14

2×Nut M4



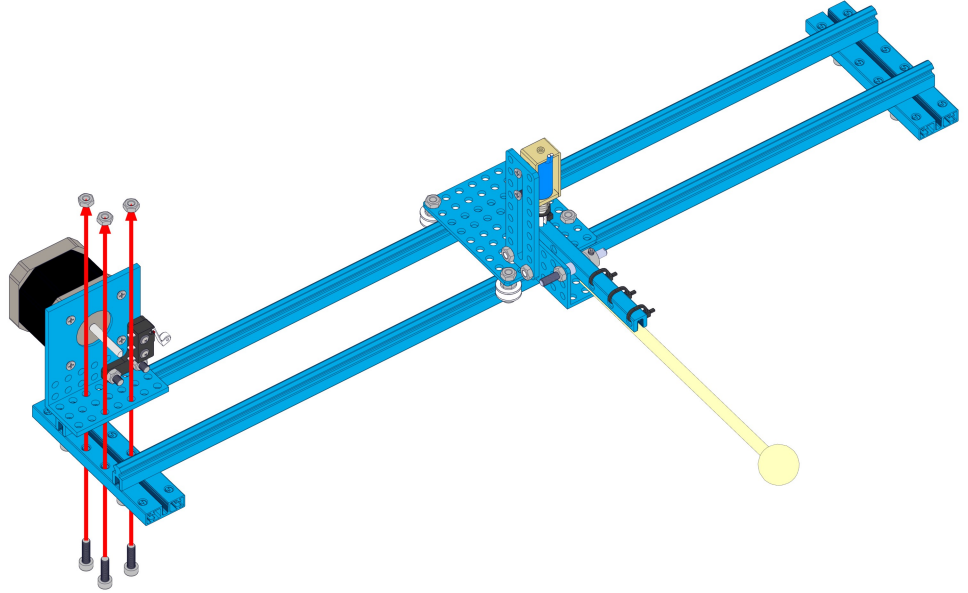


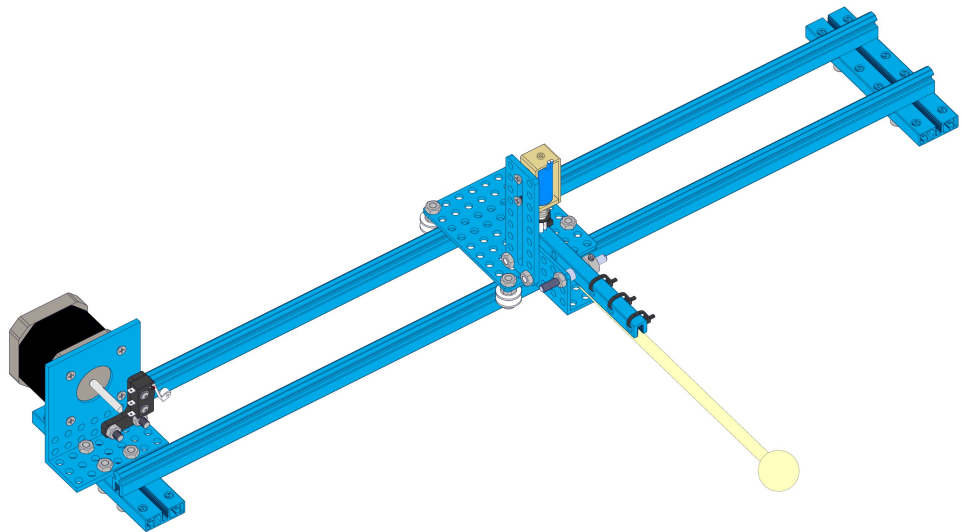


3×Socket Cap Screw M4×14

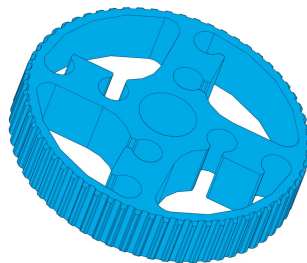
3×Nut M4



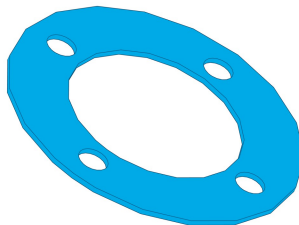




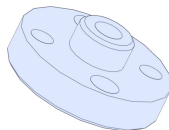
1×Timing Pulley 62T



1×Timing Pulley Slice 62T



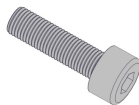
1×Shaft Connector-4mm

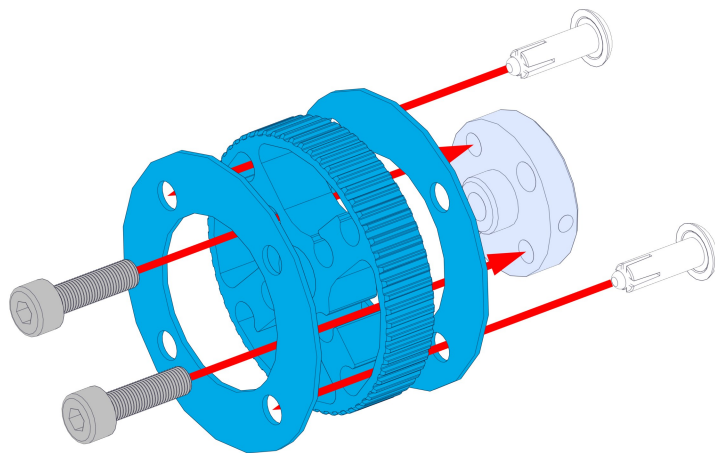


2×Plastic Rivet R4120

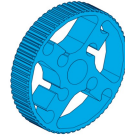


2×Socket Cap Screw M4×14





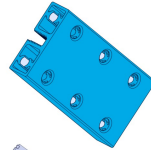
1×Timing Pulley 62T



1×Timing Pulley Slice 62T



1×Beam 0824-48



1×Threaded Shaft 4x39mm



2×Flange Bearing 4×8×3mm



2×Plastic Rivet R4120



1×Shaft Collar 4mm



1×Headless Set Screw M3×5

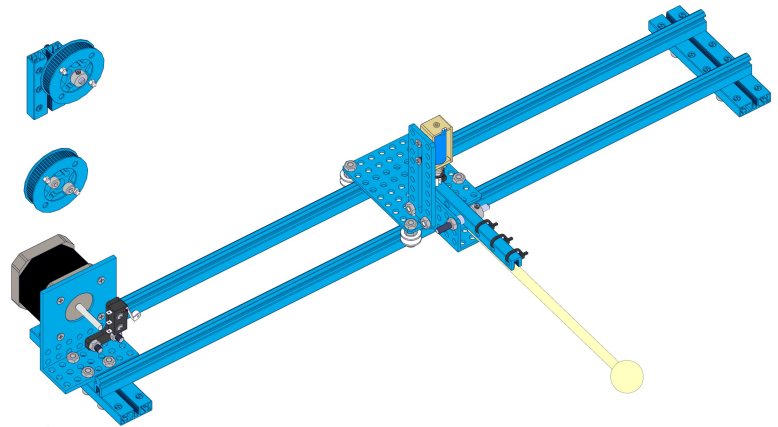


2×Plastic Ring 4×7×2mm



1×Nut M4



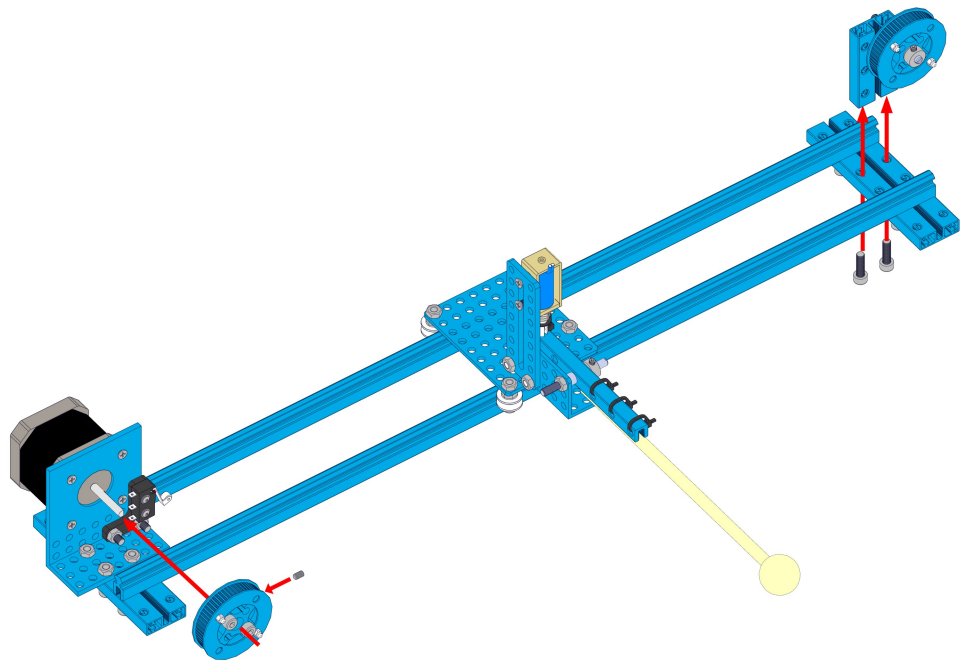


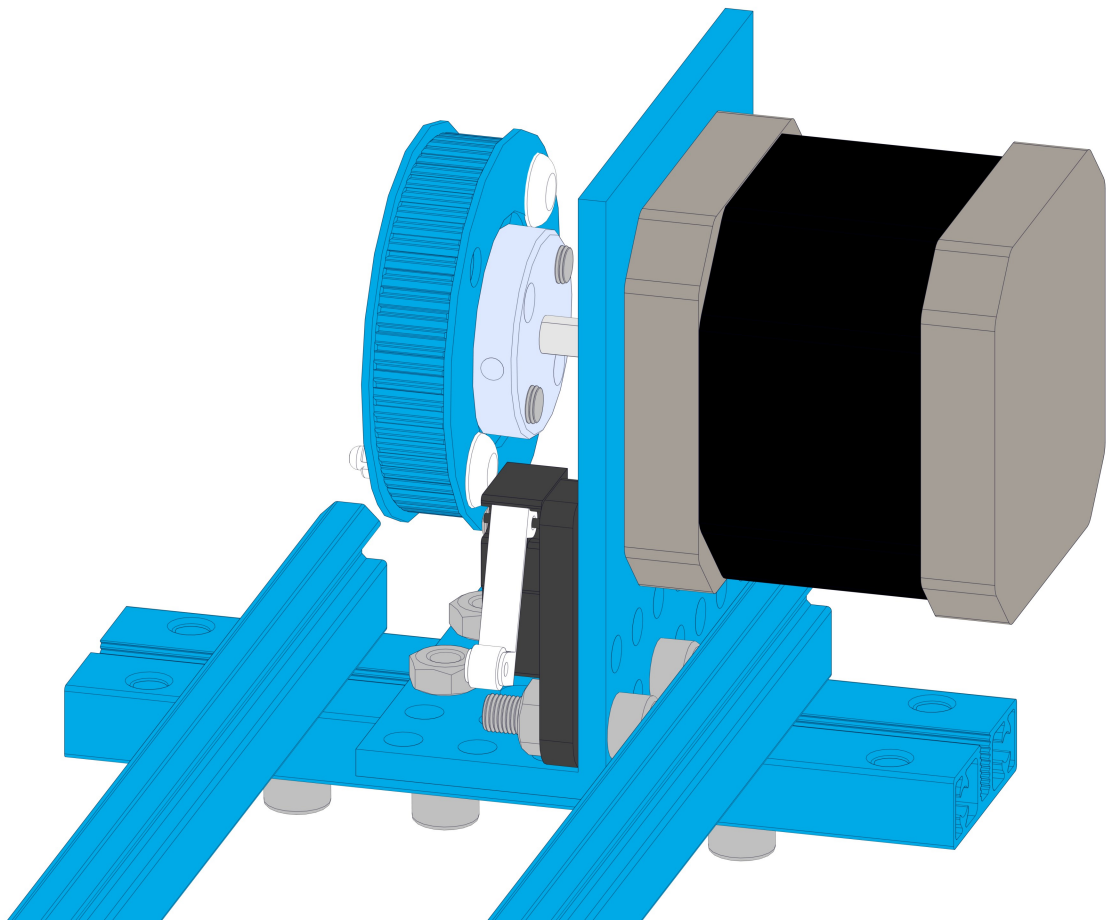
1×Headless Set Screw M3×5

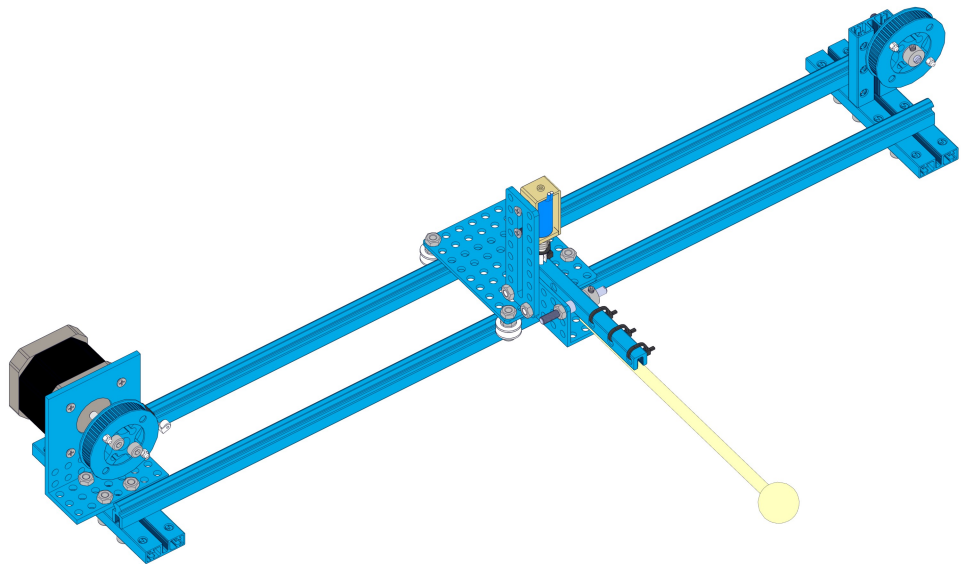


2×Socket Cap Screw M4×14







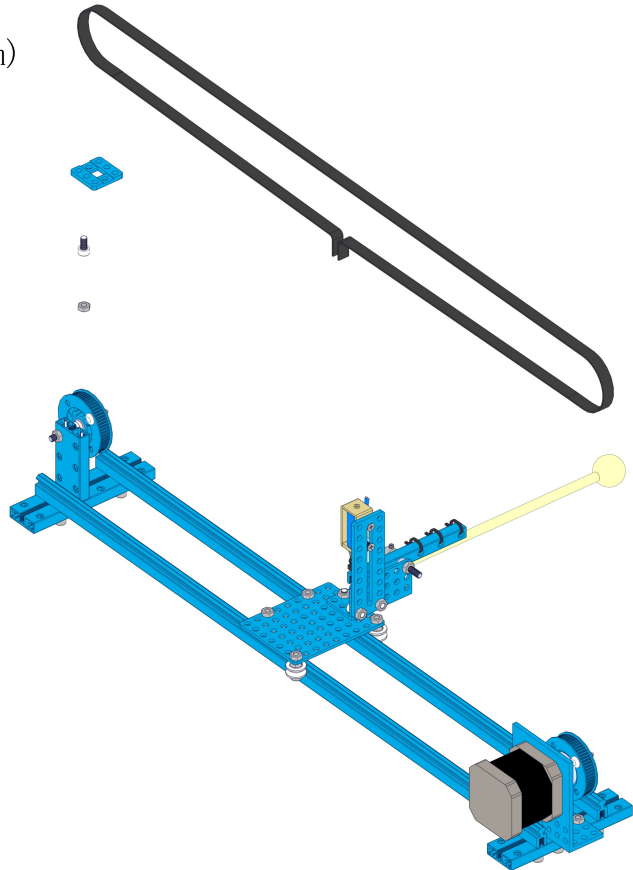


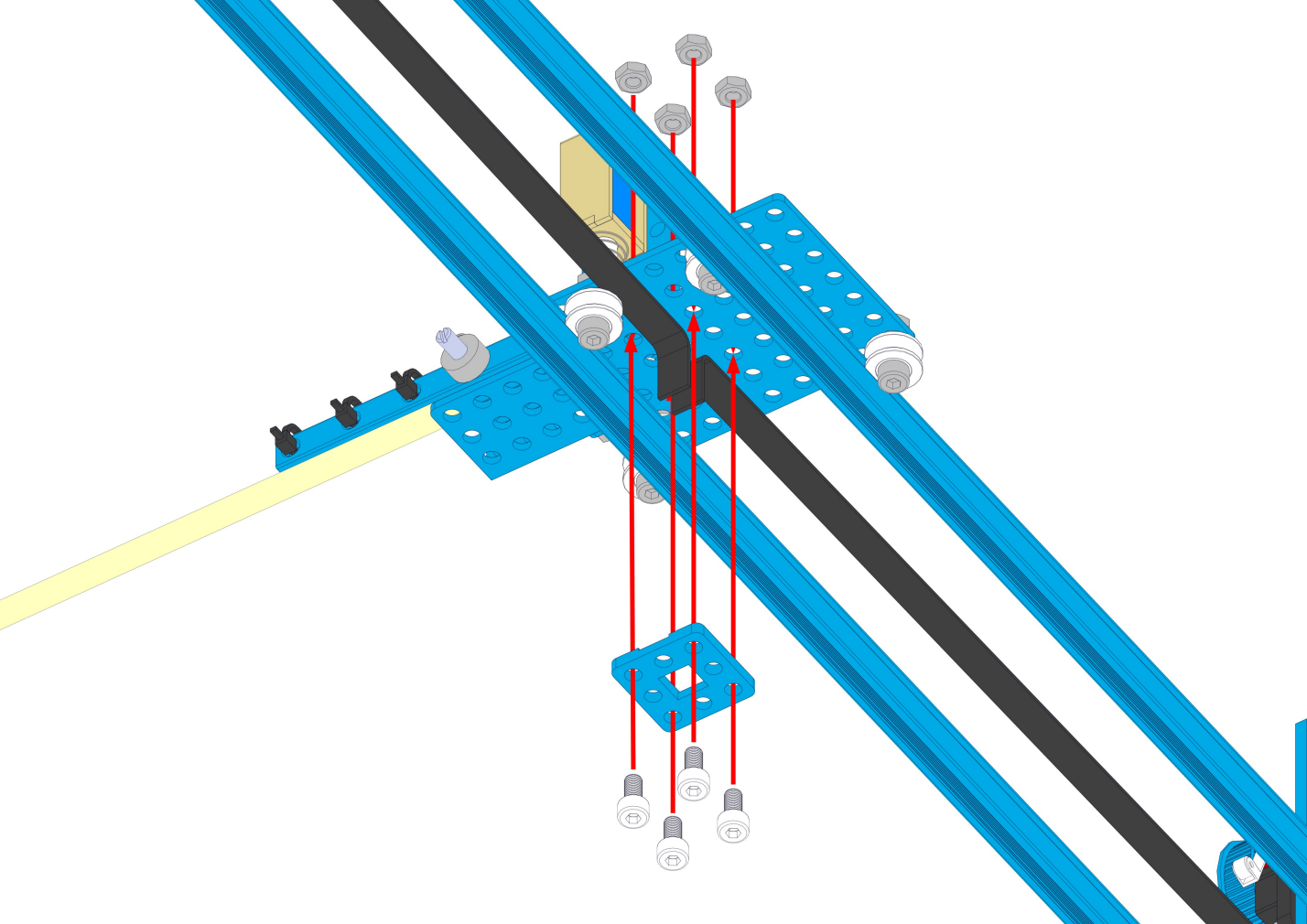
1×Open-end Timing Belt (1.3m)

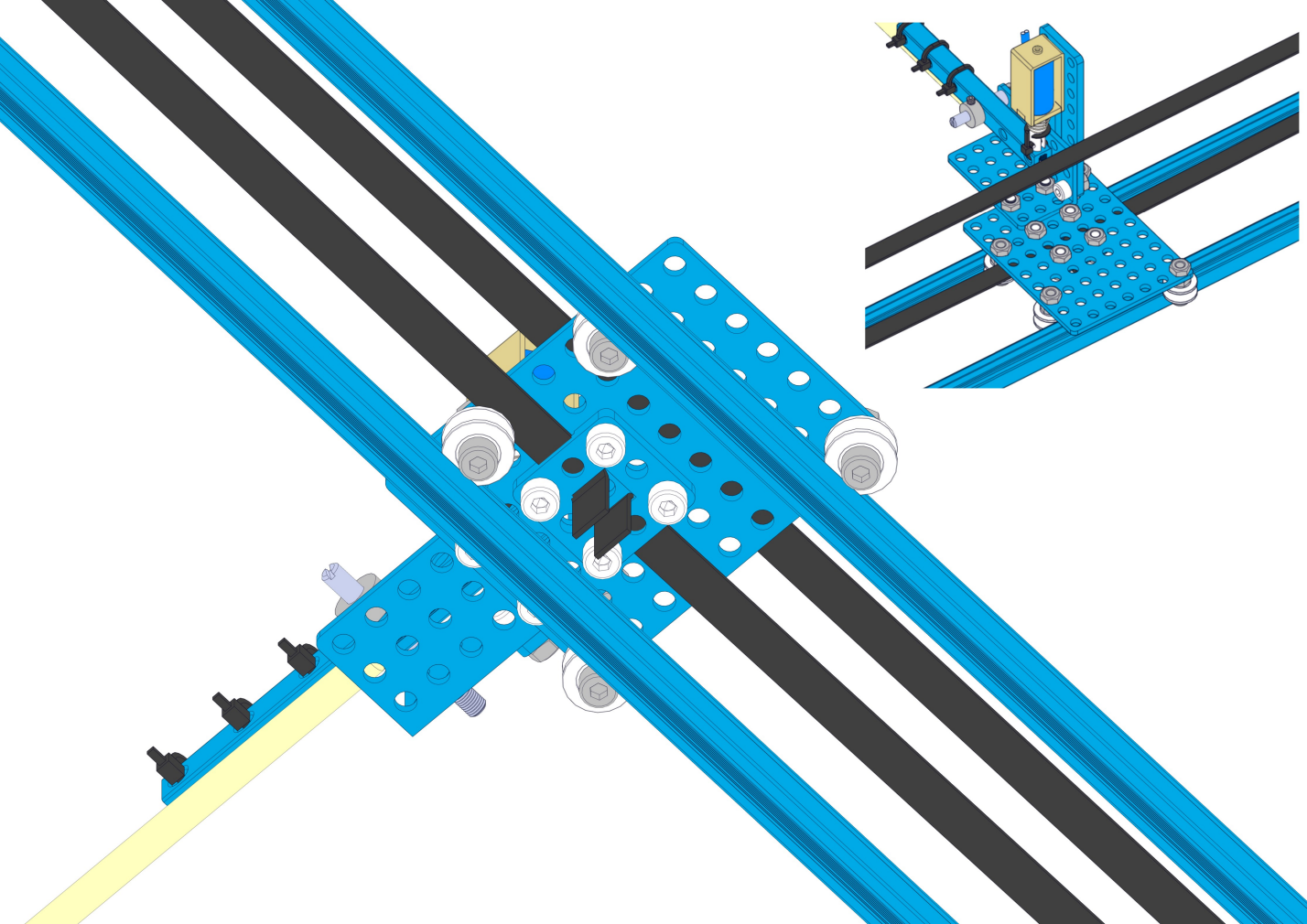
1× Belt Connector

4×Socket Cap Screw M4×8

4×Nut M4







1× Plate 3×6

4× Beam 0808-184

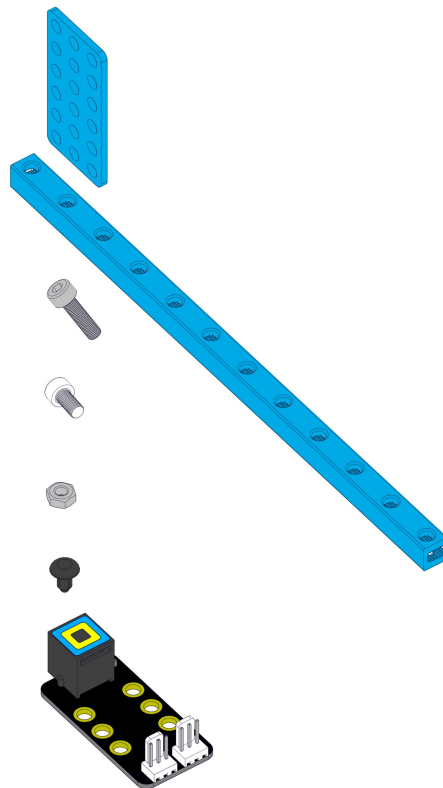
1× Socket Cap Screw M4×14

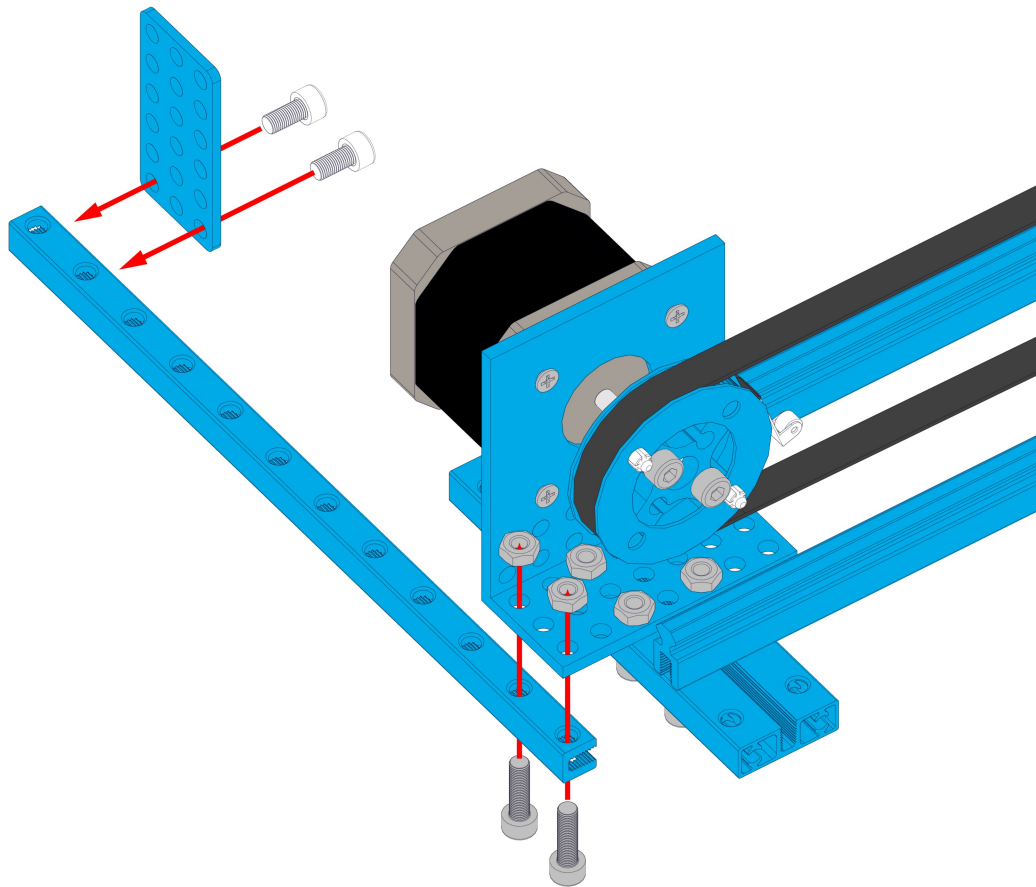
2× Socket Cap Screw M4×8

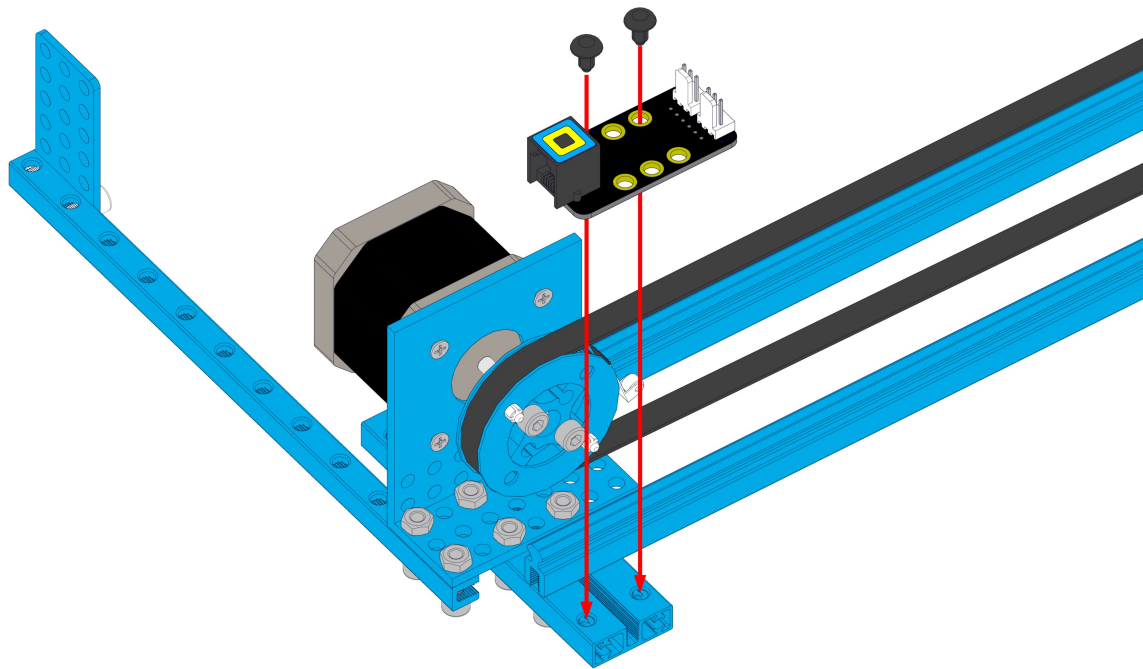
2× Nut M4

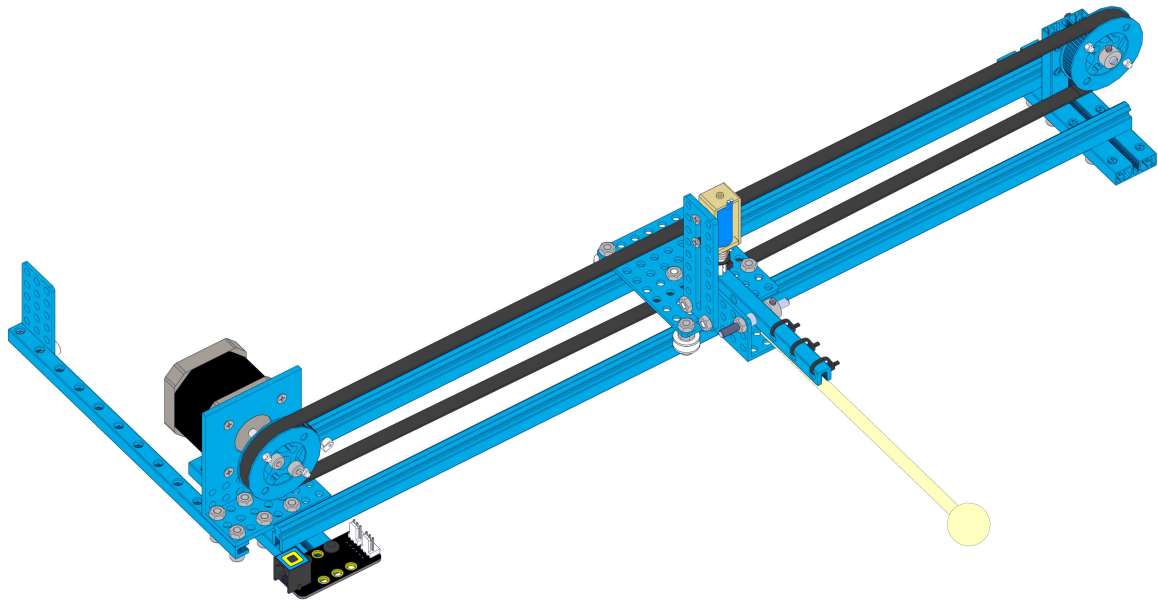
2× Plastic Rivet R4060

1× RJ25 Adapter

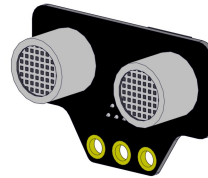




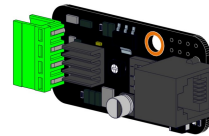




1×Me-Ultrasonic Sensor

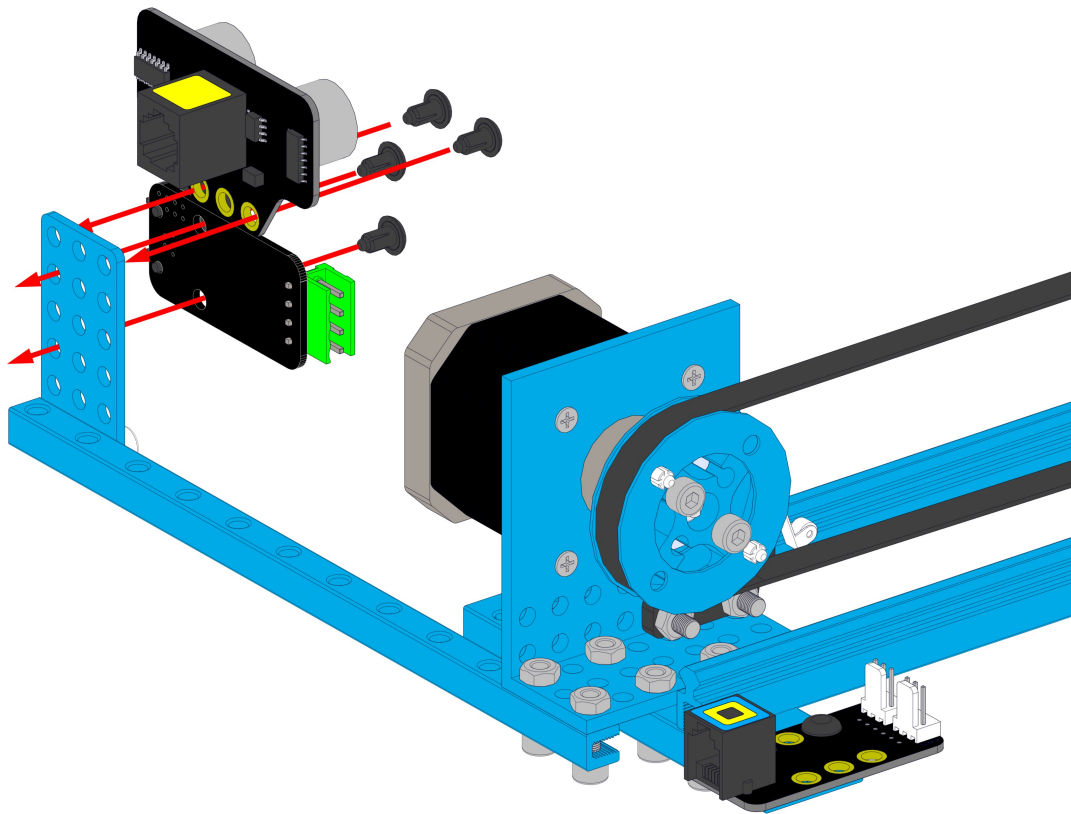


1×Me Stepper motordriver V1.0

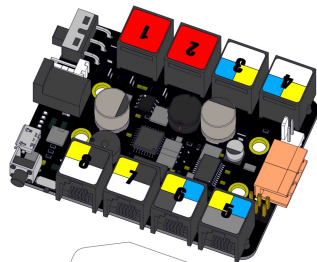


4×Plastic Rivet R4060

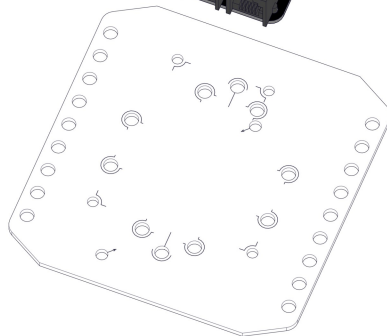




1×Me-Baseboard



1×Base Bracket



2×Nut M4

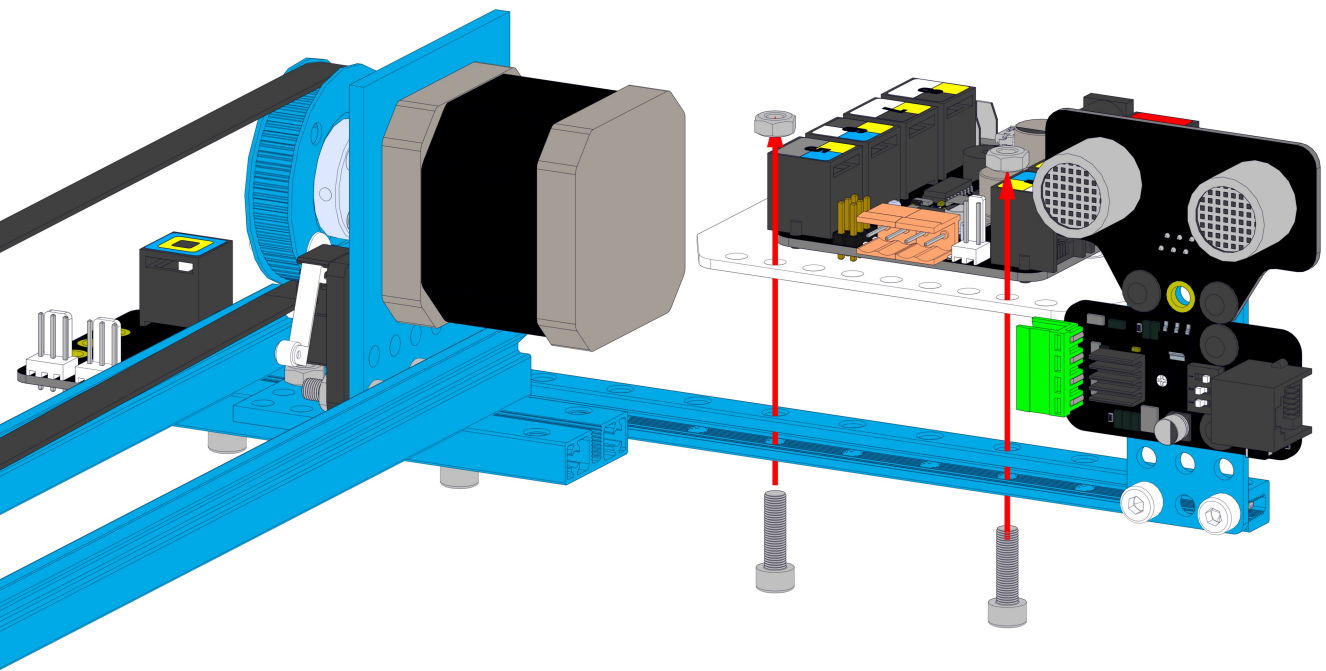


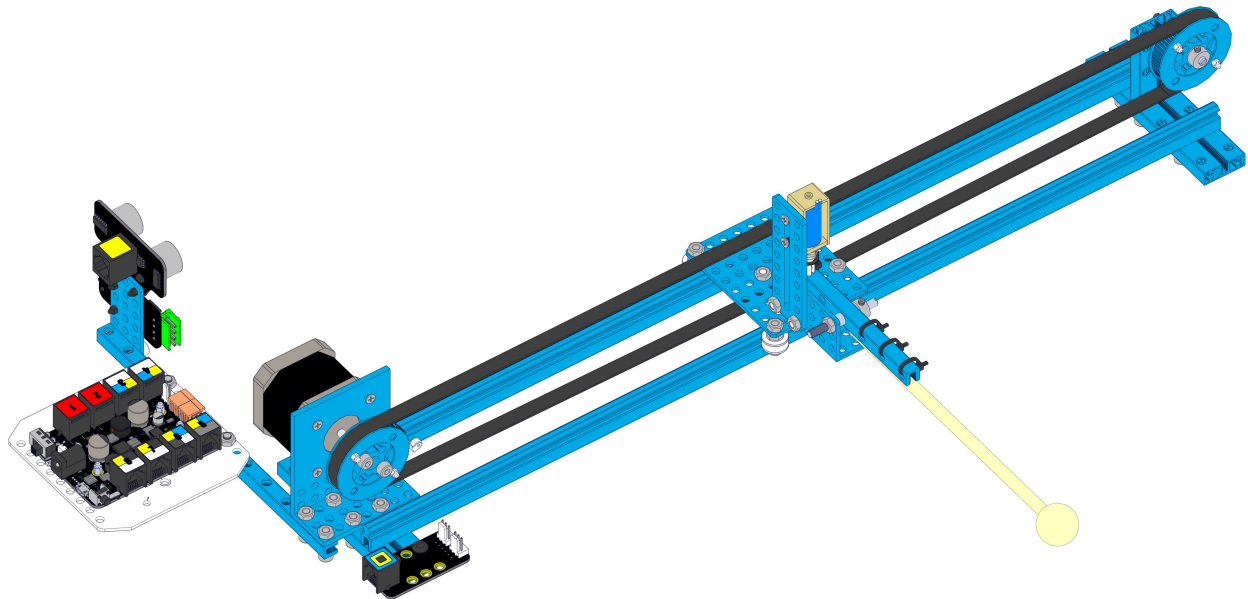
2× Socket Cap Screw M4×14



4×Plastic Rivet R4100







1×Streamer

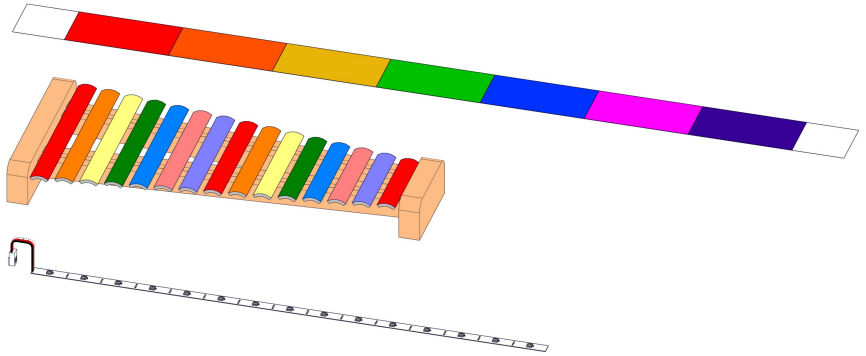
1×Xylophone

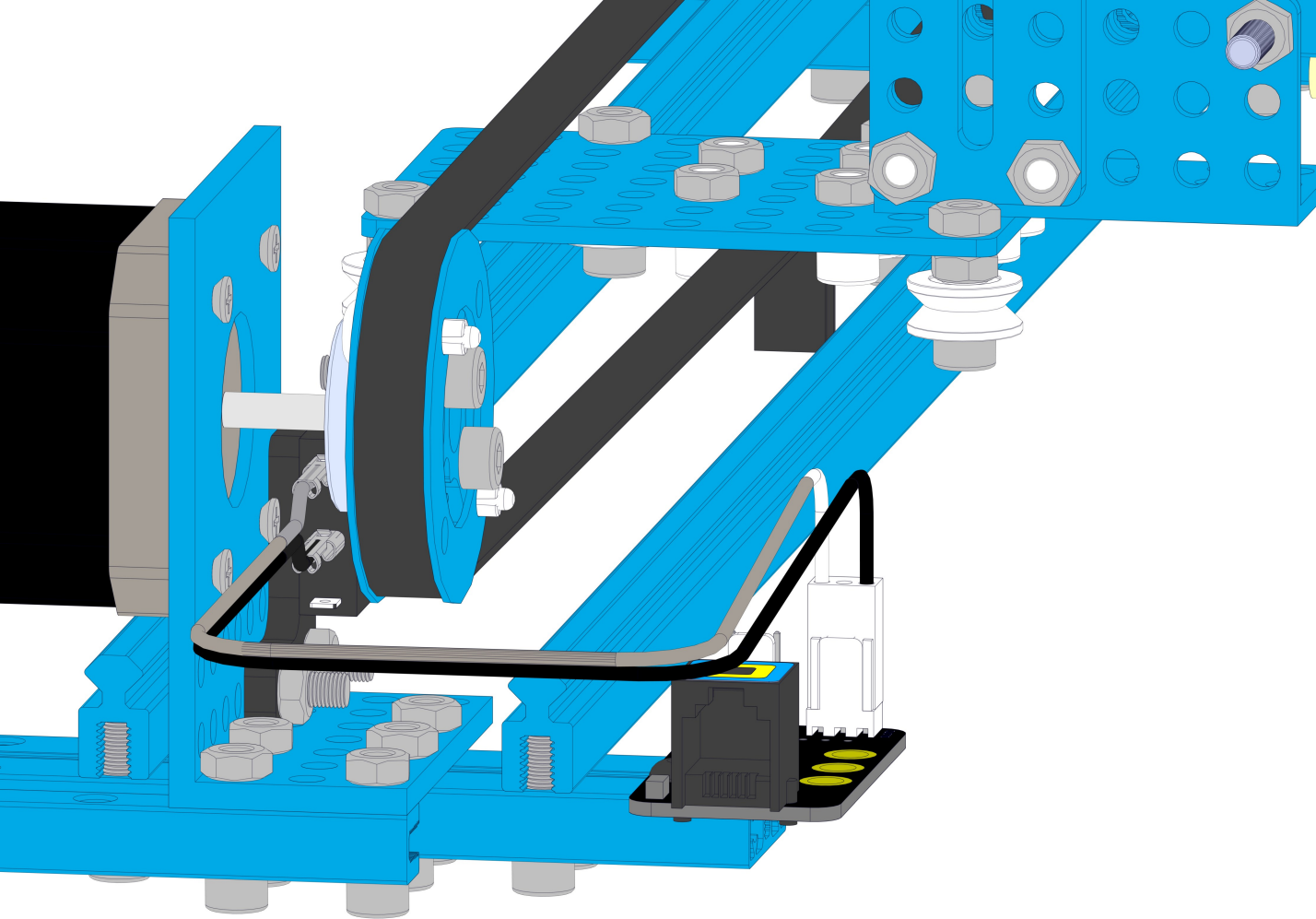
1×LED RGB
Strip-Addressable,
Sealed(0.5M)

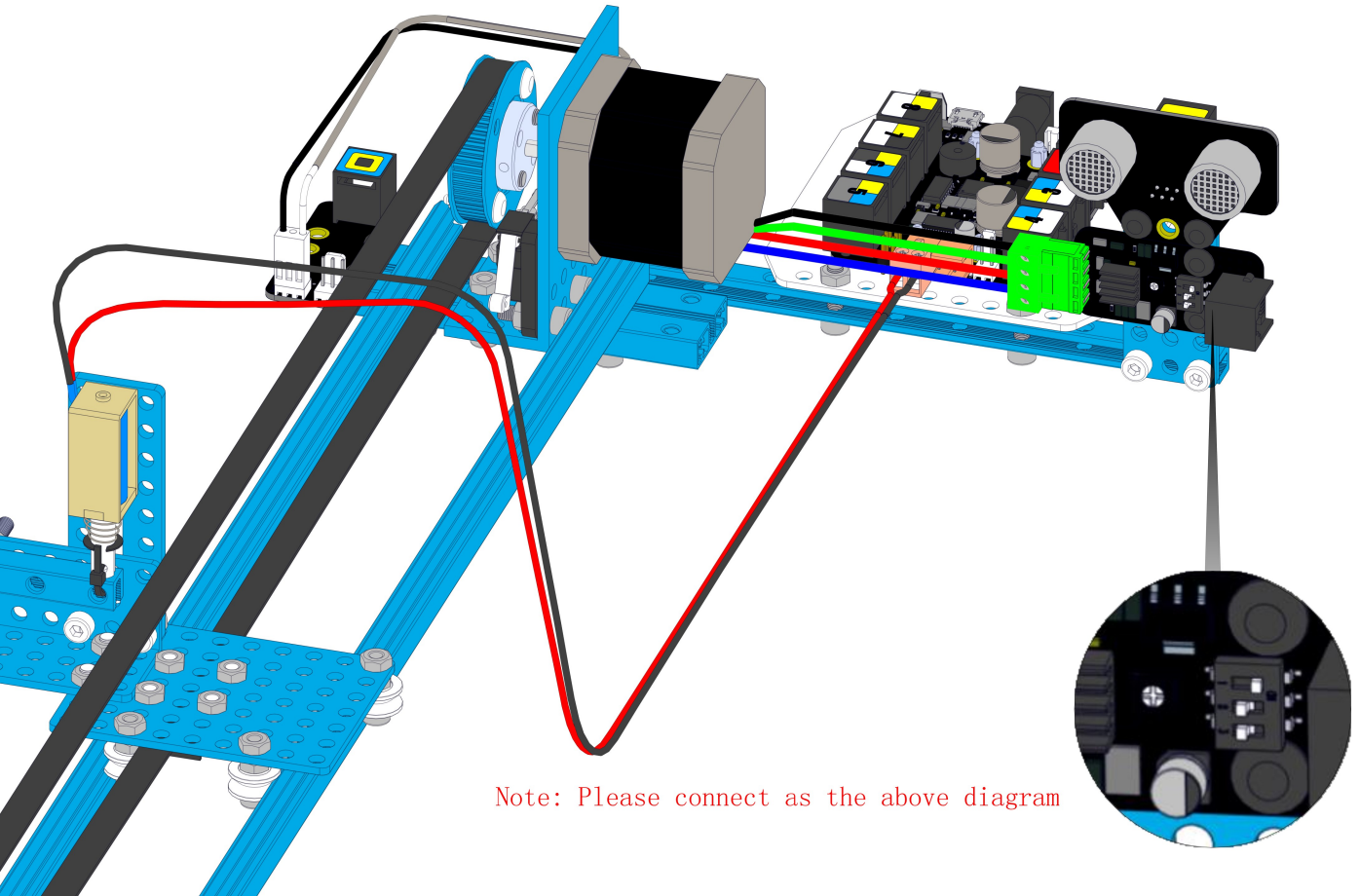
3×6P6C RJ25 cable-20cm

1×Wall Adapter Power
Supply - 12VDC

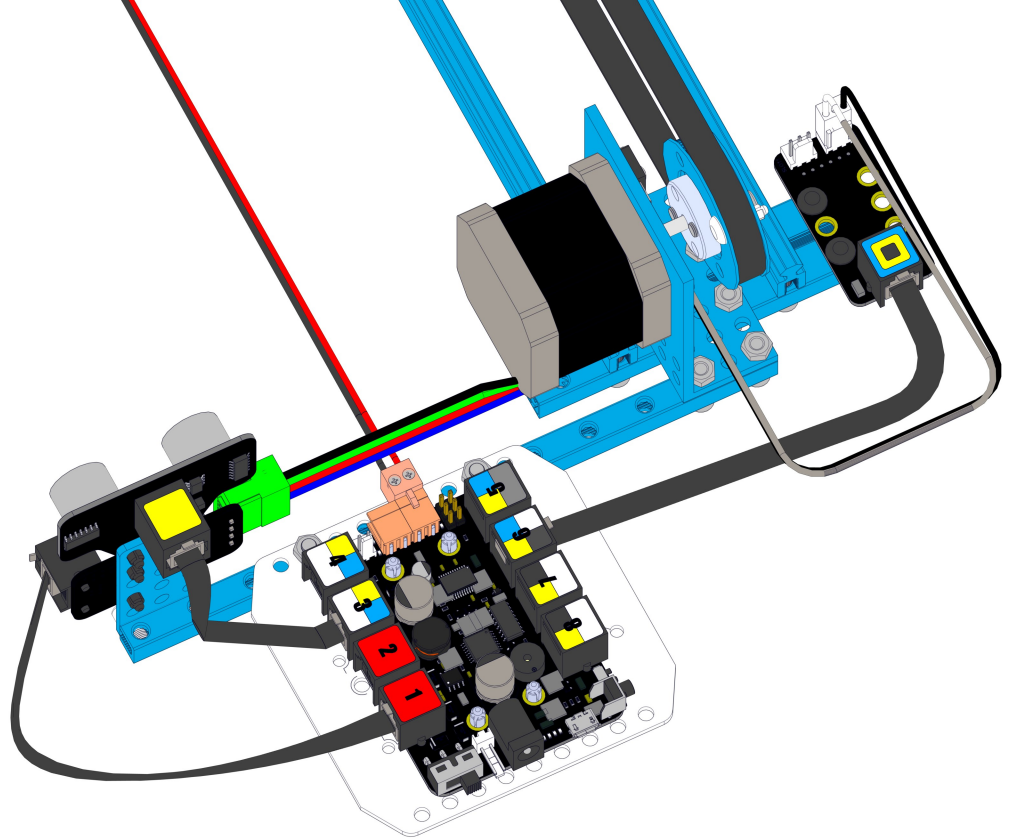
1×USB 2.0 A-Male to
Micro B-Male Cable



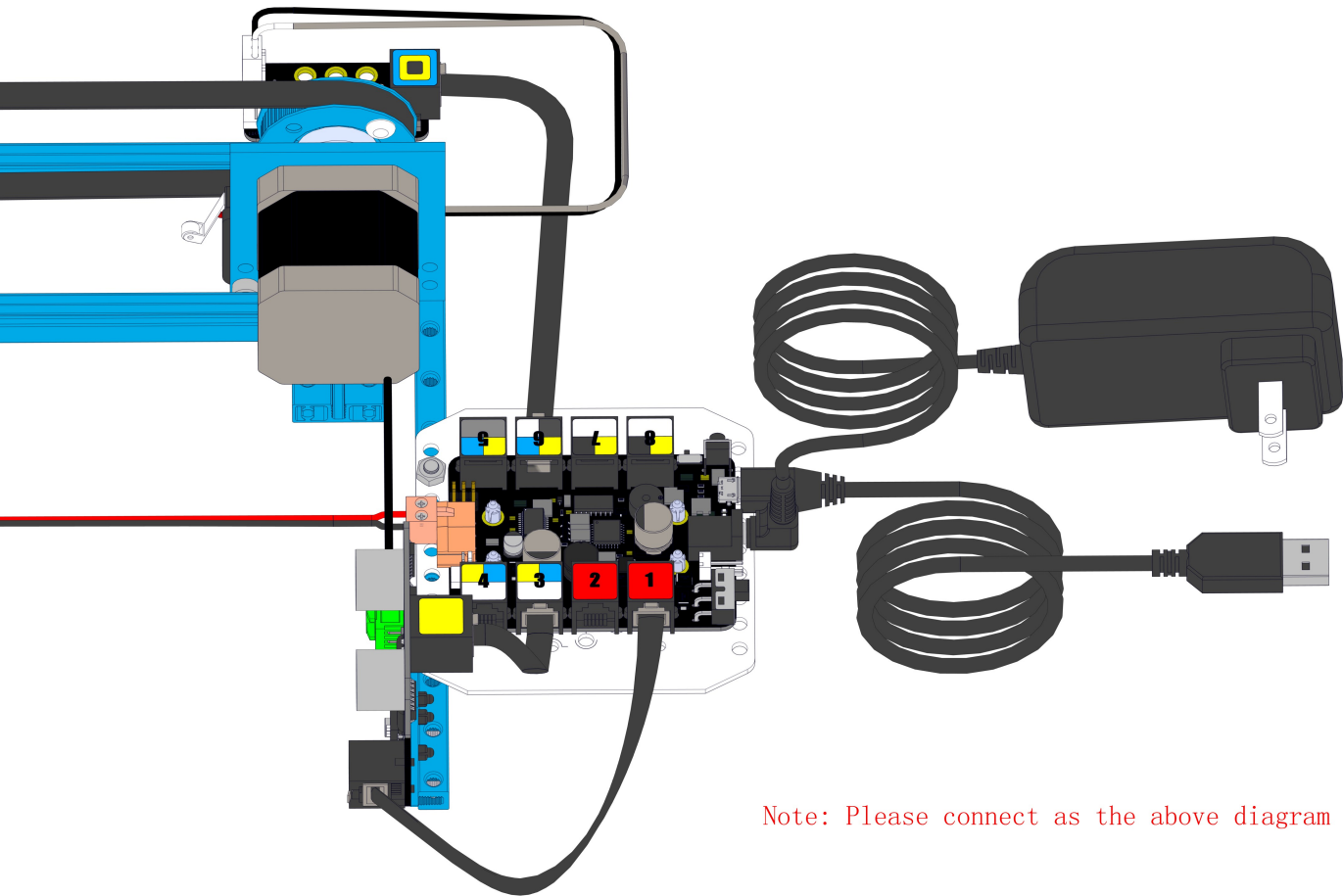




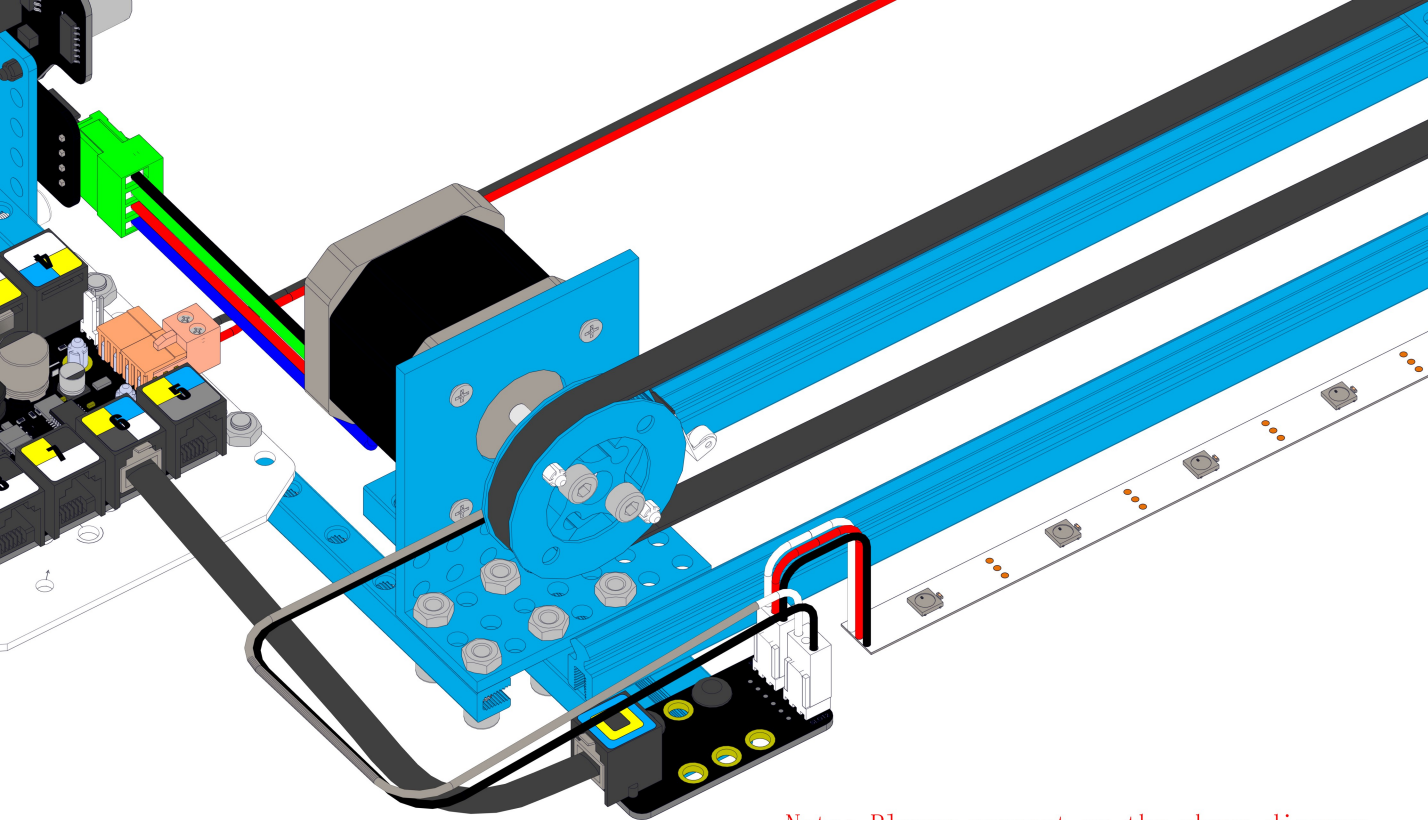
Note: Please connect as the above diagram



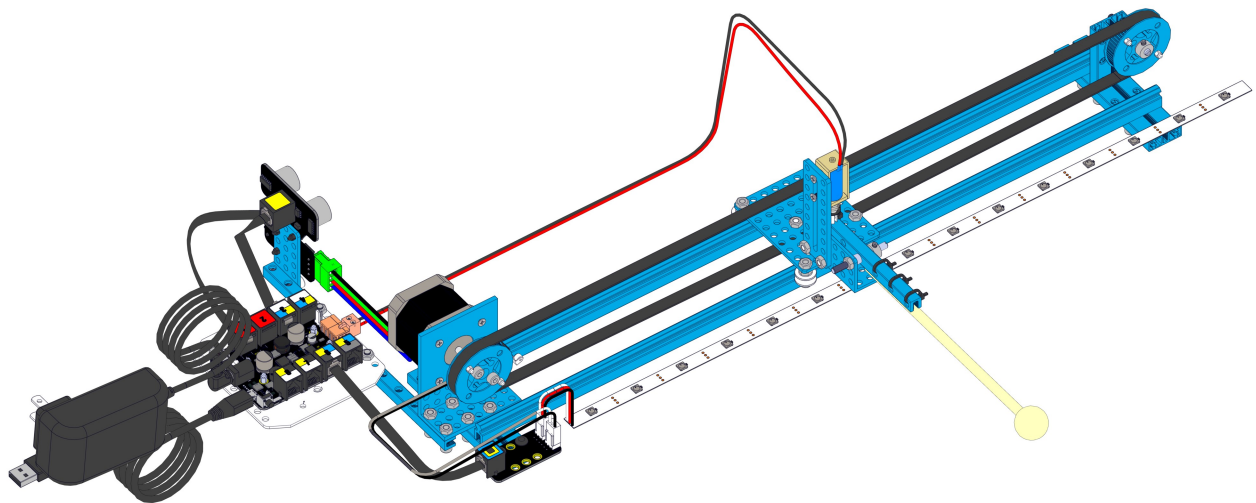
Note: Please connect as the above diagram

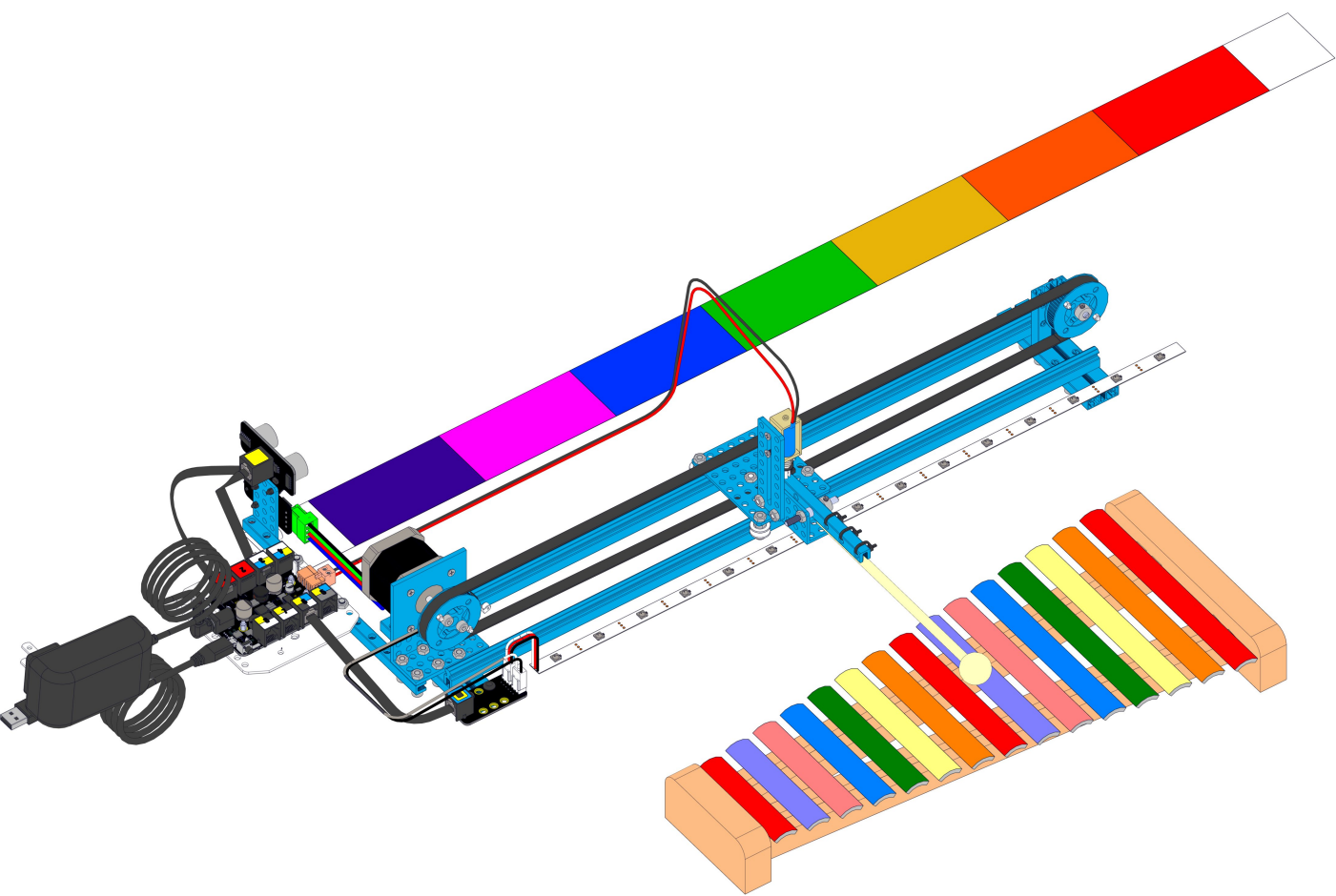


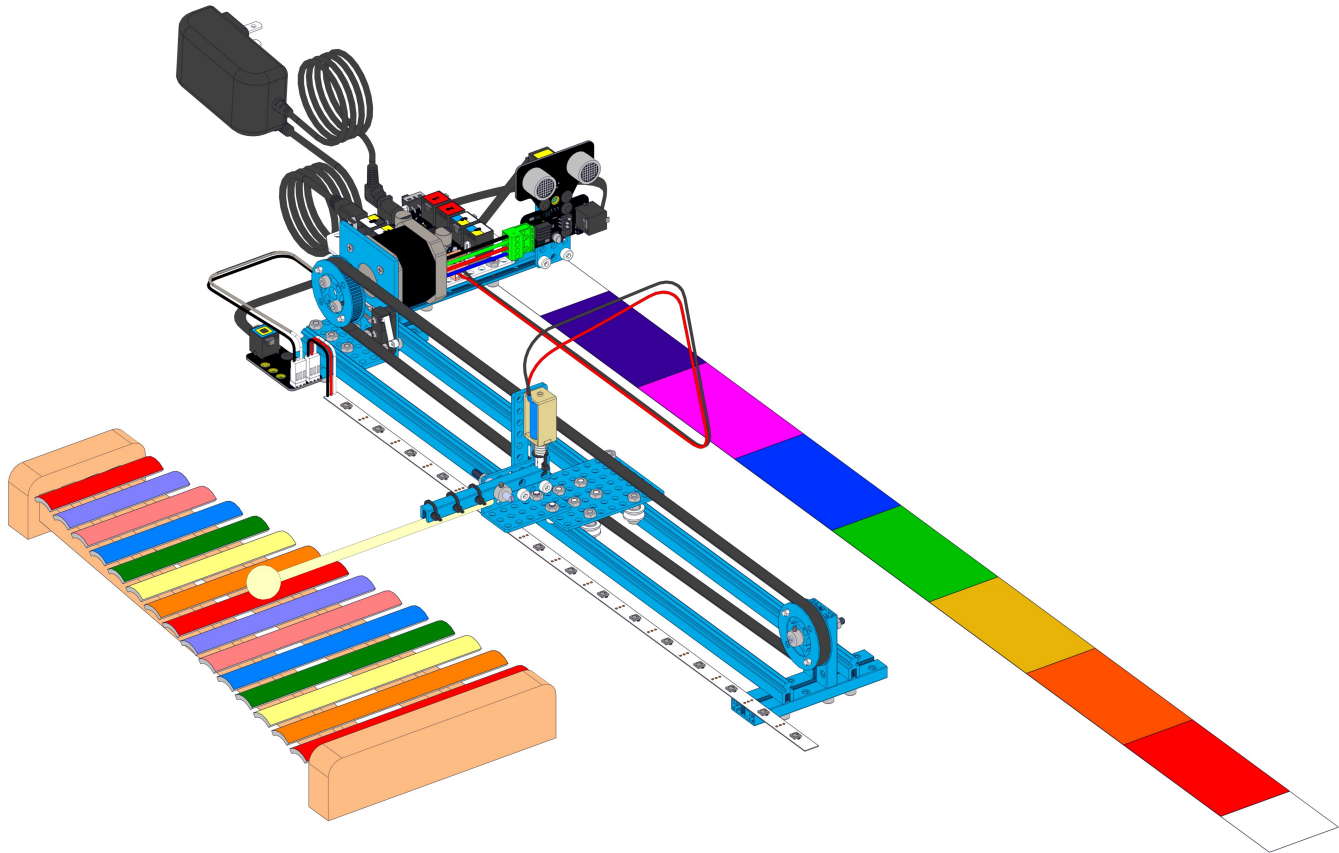
Note: Please connect as the above diagram



Note: Please connect as the above diagram







Makeblock
Construct Your Dreams

www.makeblock.cc